



Service Manual

VM200 EU

Dual-Channel Wireless Microphone System





Table of Contents

Datasheets and Specifications

Exploded View Diagrams

Bill of Materials



VM200

Dual-Channel Wireless Microphone System



HIGHLIGHTS ■

Voiced for KTV applications

to provide a warm, rich vocal sound, perfectly matched for JBL KTV-audio systems

Reliable performance

by working in the 640 MHz – 690 MHz UHF band and offering 200 channel/frequency points to eliminate interference in multi-room installations

Simple setup and operation

with automatic frequency/channel scanning, microphone/receiver synchronization and storable presets

The JBL Entertainment VM200 is a dual-channel wireless microphone system that delivers professional-grade audio for live-sound applications. Designed for KTV settings, VM200 features JBL's signature karaoke tuning to deliver pristine vocal performances. The system includes one SR200 receiver and two HT200 hand-held, dynamic microphones, perfectly complementing JBL Entertainment karaoke speakers to provide a complete, premium KTV-audio solution.

Perfect for small to mid-sized karaoke venues that require reliable wireless microphone systems, VM200 leverages technology found in the JBL VM300 to deliver interference-free transmission with simple operation.

With crystal-clear, rich vocals, unmatched dependability and an easy-to-use design, the JBL VM200 provides guests an unforgettable karaoke experience.

KEY MESSAGES ■

SIGNATURE JBL KARAOKE SOUND

Continuing JBL's legacy as a leader in the KTV-audio market, the VM200 wireless microphone system features JBL's legendary karaoke tuning. Providing exceptional, rich vocals, the VM200 allows karaoke-goers to sound their best while singing their favorite songs. Plus, because the system is acoustically tuned to the same target curve as JBL Entertainment karaoke loudspeakers, VM200 is the perfect wireless solution to complete an all-JBL KTV solution.

PAINLESS SETUP

Setting up the VM200 is quick and easy. Auto Scan automatically searches for available frequencies, while the Preset Module allows you to select and store channel presets for simple synchronization between the receiver and microphones.

SIMPLE OPERATION

Perfect for small to mid-sized KTV venues, the VM200 offers an operating range of 50 meters and 40 frequencies, which allows several systems to operate simultaneously without interfering with one another. Plus, for simple monitoring, the receiver and microphones feature an LCD display that show the system's status and battery levels.

RELIABLE PERFORMANCE

VM200 continuously self-monitors itself to provide optimum performance and efficient energy consumption. The system's Auto Mute feature mutes microphones after three seconds if vocals are not detected, while Auto Sleep powers off the microphones if they stay static for eight minutes. Conversely, Auto Wakeup powers the microphones when motion is detected.

VM200

Dual-Channel Wireless Microphone System



FEATURES ■

- Renowned JBL karaoke tuning delivers excellent vocal performance
- Auto Scan automatically searches for available frequencies
- Preset Module offers selectable and storable presets for easy synchronization
- Auto Mute, Auto Wakeup and Auto Sleep consistently monitor the system to ensure peak performance and efficient energy consumption
- LCD display on receiver and mics provide system and battery-level status
- Perfectly complements JBL Entertainment karaoke speakers for a premium KTV-audio solution

INCLUDED ACCESSORIES ■

- 1 × SR200 receiver
- 2 × HT200 hand-held transmitters
- 2 × Antennas
- 1 × Power adapter (plug type varies by region)
- 1 × Audio cable (with 6.35 mm plug)
- 2 × Anti-rolling rubber rings
- 4 × AA batteries
- 1 × Quick Start Guide

ORDER SPECIFICATIONS ■

DISPLAY CARTON DIMENSIONS (L × W × H):	480 x 340 x 70 mm
DISPLAY CARTON GROSS WEIGHT:	2.5 kg
CASE PACK DIMENSIONS (L × W × H):	505 x 450 x 370 mm
CASE PACK QTY:	6 pcs.
CASE PACK NET WEIGHT:	15 kg
CASE PACK GROSS WEIGHT:	17.5 kg
UPC CODE:	VM200 CN: 691991034084 VM200 EU: 691991034091

SPECIFICATIONS ■

SYSTEM

FREQUENCY BAND:	640 MHz – 690 MHz
CHANNELS:	40
OPERATING RANGE:	≈ 50 meters
FREQUENCY INCREMENT:	250 kHz
FREQUENCY BANDWIDTH:	50 MHz
SHIPPING WEIGHT:	2.5 kg
DIMENSIONS (L × W × D):	480 × 340 × 70 mm

SR200

FREQUENCY DEVIATION:	±10 kHz
FREQUENCY PREPARATION:	PLL Synthesized Control
MUTE MODE:	Mute & Lock Loop Circuit
DISPLAY:	LCD
POWER REQUIREMENT:	12 VDC, 1.25 A
AUDIO OUTPUT CONNECTOR:	1x 6.35 mm Unbalanced TS

HT200

FREQUENCY DEVIATION:	±10 kHz
FREQUENCY PREPARATION:	PLL Synthesized Control
TRANSMISSION POWER:	≤30 mW
RF OUTPUT POWER:	High, Low
DISPLAY:	LCD
CAPSULE:	Dynamic, Super-cardioid



HARMAN Professional 8500 Balboa Blvd. Northridge, CA 91329 USA

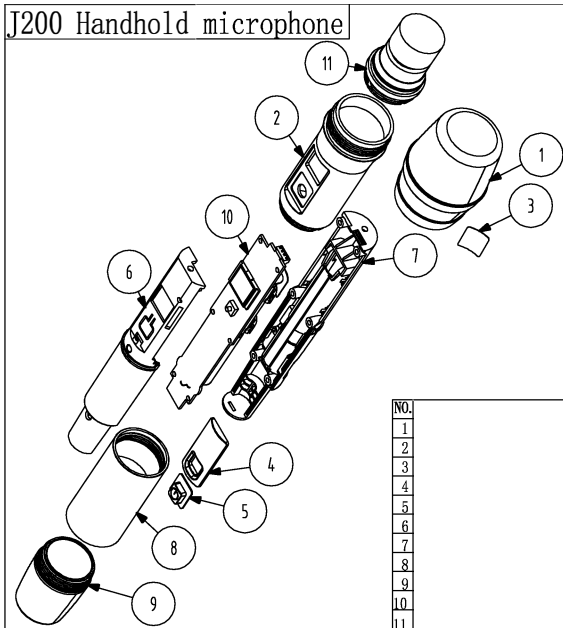
© 2020 HARMAN International Industries, Incorporated. All rights reserved.
Features, specifications and appearance are subject to change without notice.

www.jblpro.com

Issued: 03/2020

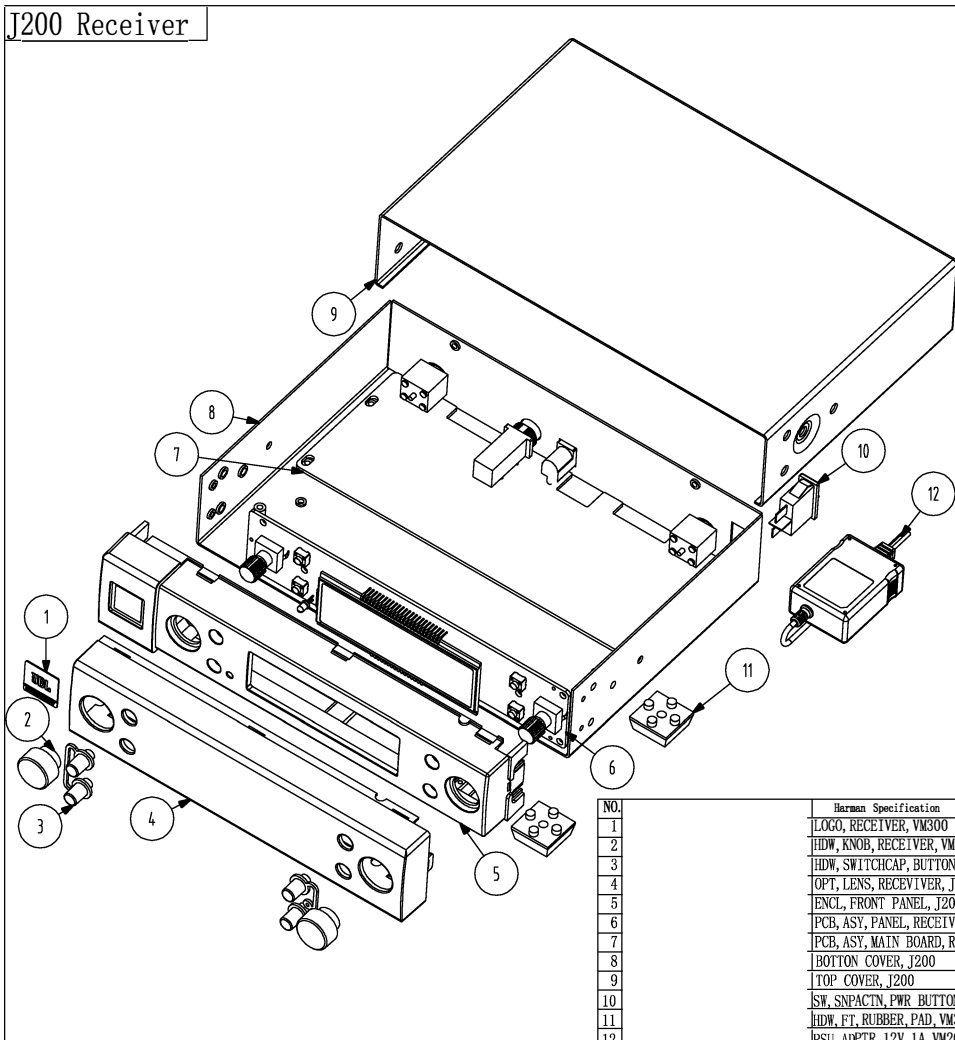
Exploded View Diagrams

J200 Handhold microphone



NO.	Harman Specification	BBS Specification	Dimensions	Quantity
1	HDW, SHRD, MESH CAP, J200	MESH CAP J200 (unconfirmed)	Φ51*68	1
2	UPPER BODY, J200	UPPER BODY J200	Φ35*91	1
3	HDW, LOGO, HANDHELD, VM300	JBL Logo VM300	17.2*16.9	1
4	OPT, LENS, HANDHELD, J200	HT Lens J200	43.8*19.6	1
5	HDW, SWCAP, PWR BUTTON, HANDHELD, J200	HT Power on/off Button J200	16.8*14.8	1
6	INNER BRACKET BATTERY CASE, VM300	INNER BRACKET BATTERY CASE	15.75*173.9	1
7	BATTERY CASE, VM300	BATTERY CASE VM300	16.1*176	1
8	LOWER BODY, VM300	Lower body VM300	Φ35*70	1
9	PLATICK BOTTOM, J200	PLATICK BOTTOM J200	Φ35*45	1
10	PCB, ASY, HANDHELD, J200	PCB Assembly HT J200	151.25*26*1.6	1
11	AUD, MIC, HANDHELD, J200	MIC PART J200 (unconfirmed)	Φ35.6*49.1	1

J200 Receiver



NO.	Harman Specification	BBS Specification	Dimensions	Quantity
1	LOGO, RECEIVER, VM300	JBL Logo VM300	18*18*0.5	1
2	HDW, KNOB, RECEIVER, VM300	Knob VM300 Receiver VM300	Φ8.4*12.9	2
3	HDW, SWITCHCAP, BUTTON, J200	SR Button J200	27.8*14.3*13.3	2
4	OPT, LENS, RECEIVER, J200	Lens J200 Receiver J200	180.9*44*23	1
5	ENCL, FRONT PANEL, J200	Faceplate J200	208.9*44*30	1
6	PCB, ASY, PANEL, RECEIVER, J200	PCB Assembly J200 Receiver	172.8*34.6*1.6	1
7	PCB, ASY, MAIN BOARD, RECEIVER, J200	PCB main board J200	187.1*117.8*1.6	1
8	BOTTON COVER, J200	Botton cover J200	202*137*42.5	1
9	TOP COVER, J200	Top cover J200	210*138*44	1
10	SW, SNPACTN, PWR BUTTON, VM300SR	Power on/off switch VM300	21.5*17.2*9.7	1
11	HDW, FT, RUBBER, PAD, VM300	Rubber pad VM300	19.8*19.8*10.9	4
12	PSU, ADPTR, 12V, 1A, VM200 EU	POWER ADAPTER 12V 1A VM200	68*49.7*26.5	1

Refer to the corresponding Service Bill of Materials (SBOM) to order parts stocked by Harman.